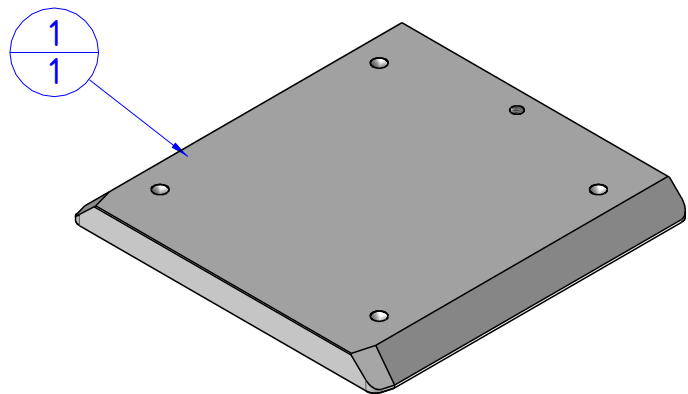
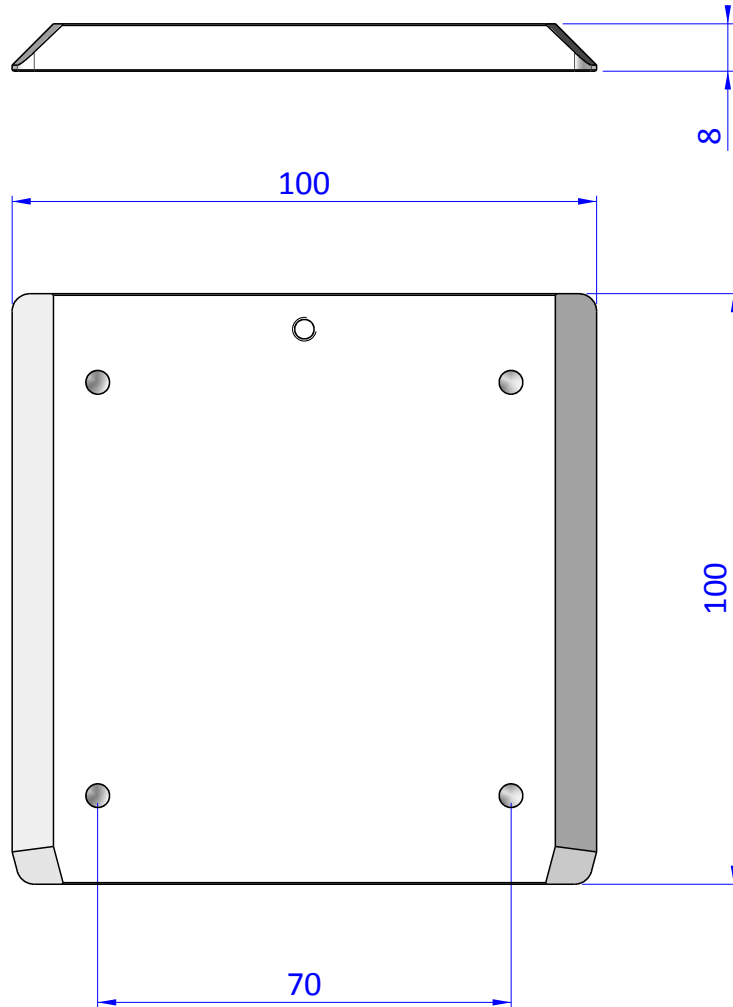

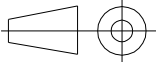


THE PROPERTY OF THE DRAWING IS ESTABLISHED BY LAW. IT IS FORBIDDEN TO PRODUCE OR SHOW IT TO THIRD PART. WITHOUT A WRITTEN AGREEMENT.

Item	Name	Qty.
1	GPM1	1



<b>Format A4</b>  <b>UNI 936-76</b>	 <b>FPS</b> <small>FPSSERVICES AUTOMATION</small>			<small>DESIGNED FROM</small> <b>FPS Automation</b>	<small>REVIEW</small> <b>A</b>
	<small>GENERAL TOLERANCE</small> UNI - ISO 2768 CLASSE f	<small>DESCRIPTION</small>  <b>CA.GPM1</b>		<small>DATE</small> <b>04/09/2018</b>	<small>WEIGHT</small> <b>0,201kg</b>
				<small>CODE</small> <b>CA.GPM1</b>	